

# 735T

## SINOMACH

## SINOMACH

## SINOMACH-HI INTERNATIONAL EQUIPMENT CO.,LTD.

额定功率(Rated Power):268kW@2100rpm

操作重量(Operating Weight):28000Kg (Ripper)



- Cummins electronically controlled engine.
- Adopt high-strength slewing bearing and overload protection worm gear box, suitable for heavy load conditions
- Strong traction and excellent overall stability, suitable for mine road cleaning and super hard road leveling
- Load-sensitive hydraulic system, double-handle electronic control, better control feeling, less control force, more energy-saving and high-efficiency
- Full hydraulic dual-circuit service braking system, wet braking, easy maintenance, safe and stable braking
- Optional rear ripper, front bulldozer, automatic leveling device



Wheel Loader



Motor Grader



Excavator



Backhoe Loader



Vibratory Roller



Truck Monted Crane



Bulldozer



Paver



Skid Steer



### SINOMACH-HI International Equipment Co.,Ltd.

Add:No.898,West Huanghe Road, Changzhou, Jiangsu,  
P.R.of China

P.C:213136

Tel:86-519-86781288 86752400

Fax:86-519-86781387

Http://www.sinomachiglobal.com

E-mail:sales@changlin.com.cn service@changlin.com.cn

2023.02



国机重工集团国际装备有限公司  
SINOMACH-HI International Equipment Co.,Ltd.





### 发动机(Engine)

型号Model .....康明斯CumminsQSM11-C360  
 型式Type.....电喷、涡轮增压、空空中冷；温控独立散热系统  
 .....EFI,turbocharger,air-to-aircooling;temperature control independent cooling system  
 额定功率Rated Power..... 268kW@2100rpm  
 最大扭矩Max. torque.....1830Nm/1400rpm



### 变速系统 (Transmission System)

ZF电液控制动力换挡、自动变速箱，单手柄操作。  
 ZF electro-hydraulic controlled power shift single handle operation, automatic transmission,  
 行驶速度(km/h) Traveling speed (at rated engine rpm)

Gearshift	Forward speed	Reverse speed
1 <sup>st</sup>	5.4	5.1
2 <sup>nd</sup>	8.2	12.7
3 <sup>rd</sup>	12.7	27.5
4 <sup>th</sup>	19.3	
5 <sup>th</sup>	27.5	
6 <sup>th</sup>	41	



### 液压系统 (Hydraulic System)

系统压力System pressure.....25mpa  
 双手柄电控操纵负载敏感系统  
 Dual-handle electronically controlled load-sensing system



### 转向 (Steering System)

前轮的最大转向角.....左右各 49°  
 Max. turning range.....left or right 49°  
 车架转向角.....左右各 25°  
 Frame articulation.....left or right 25°  
 最小转弯半径.....9000mm  
 Min. turning radius.....9000mm  
 系统压力 System pressure.....16mpa  
 全液压前轮转向、铰接转向、紧急转向  
 Full hydraulic front wheel steering, articulated steering, emergency steering



### 车桥 (Axles)

前桥.....摆角为±15°  
 Front axle.....oscillation angle(total)±15°  
 前轮倾斜角 wheel lean angle.....right or left 17°  
 后桥：全浮式后桥，带 NO-SPIN 差速器  
 Rear axle: full-floating rear axle with NO-SPIN differential



### 终传动 (Tandem Drive)

平衡箱摆角(Tandem oscillation).....13° forward and reverse  
 终传动.....螺旋锥齿轮，单级减速。  
 Final driving.....Spiral bevel gear, single stage reduction  
 串联传动.....链传动  
 Tandem drive.....chains



### 制动 (Brakes)

行车制动.....全液压湿式制动  
 Service brake.....Full Hydraulic Wet Brakes  
 停车制动.....液压操纵盘式制动  
 Parking brake.....Hydraulically Operated Disc Brake



### 铲刀 (Moldboard)

铲刀尺寸 Dimensions.....4920mm×695mm×25mm



### 刀板变动范围 (Blade Range)

铲刀移动距离(Moldboard side shift)  
 Right.....980mm  
 Left.....555mm  
 Max. shoulder reach outside rear tires(frame straight)  
 Right.....2560mm  
 Left.....2250mm  
 Max. lift above ground.....515mm  
 Max. grading depth.....735mm  
 Max. blade angle, right or left.....65°  
 Blade tip angle.....23°~73°



### 轮胎 (Tyre)

轮胎规格 Tyre size.....18.00-25-28PR



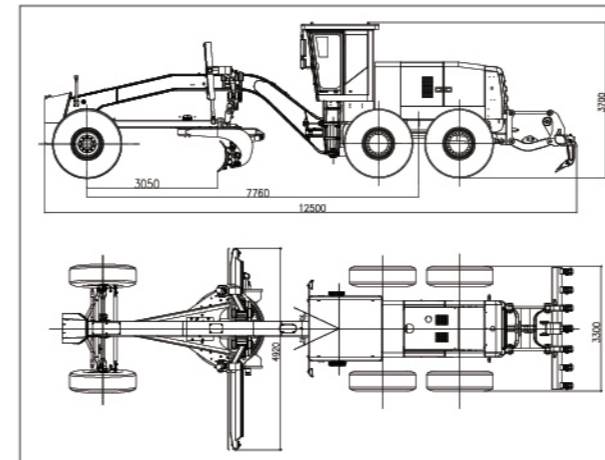
### 驾驶室 (Cabin)

Large cab space, overall adjustable instrument column, adjustable suspension seat, Standard Rops & FOPS, standard heating and cooling air conditioning, better comfort.



### 油量 (Refill Capacity)

燃油箱 Fuel tank.....540L  
 变速箱 Transmission.....35~40L  
 曲轴箱 Crank case.....28L  
 后桥 Rear axle.....30L  
 平衡箱(单边) Tandem housing(each).....60\*2L  
 液压系统 Hydraulic system.....200L



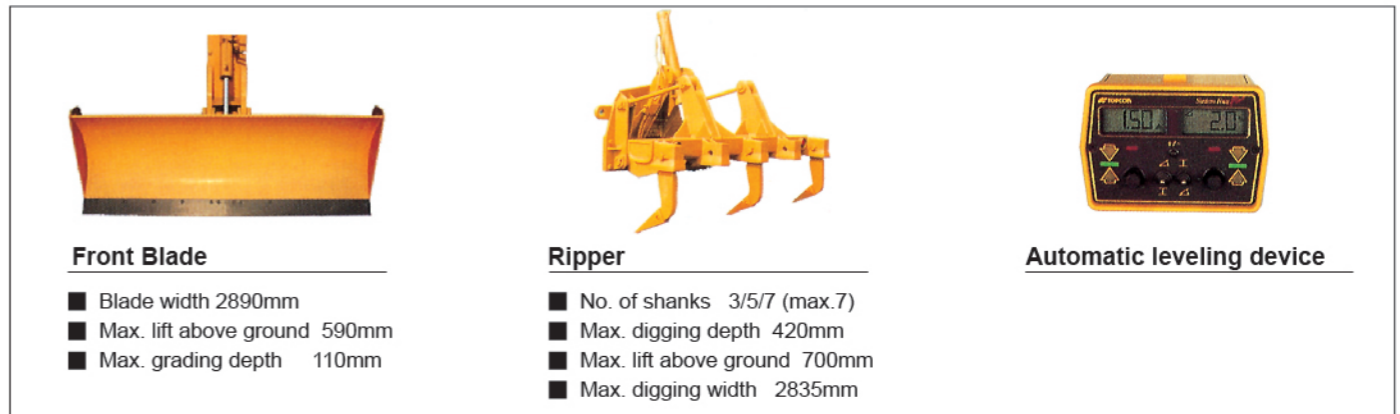
### Comfortable Cabin



Large cab space, overall adjustable instrument column, adjustable suspension seat, Standard Rops & FOPS, standard heating and cooling air conditioning, better comfort

### Optional Attachment

1. 推土板Front Blade
2. 后松Ripper
3. 自动找平仪Automatic leveling device



#### Front Blade

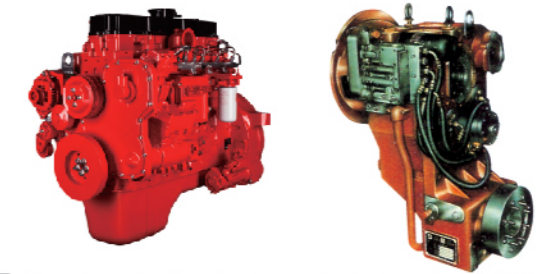
- Blade width 2890mm
- Max. lift above ground 590mm
- Max. grading depth 110mm

#### Ripper

- No. of shanks 3/5/7 (max.7)
- Max. digging depth 420mm
- Max. lift above ground 700mm
- Max. digging width 2835mm

#### Automatic leveling device

### Best Matched Power Train



Cummins electronically controlled engine, efficient and environmentally friendly, equipped with electronically controlled automatic shifting gearbox, perfectly integrated with the transmission system.

### Imported Multi-way Valve & Pump



High efficiency and energy saving with load-sensitive pumps and valves